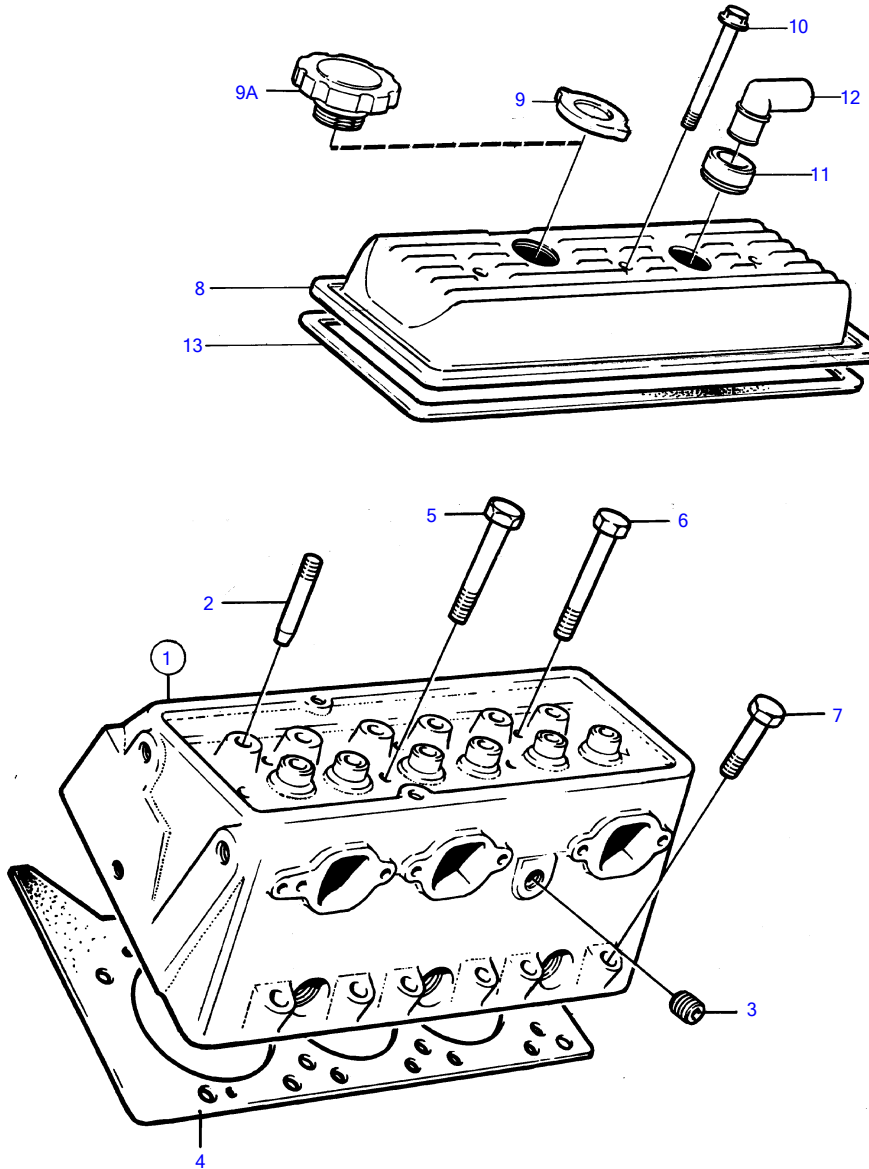


430A



11335

## 430A

| REF | PART NO. | QTY | DESCRIPTION     | SEE SEC. | NOTES  |
|-----|----------|-----|-----------------|----------|--|
| 1   | (856367) | 2   | Cylinder head   |          | Included in basic engine, See group 10A, Obsolete part |
| 2   | 835108   | 12  | • Stud          | 12455    |  |
|     | 841779   | 2   | • Stud          |          |  |
| 3   | 968145   | 2   | Plug            |          | Excl 430A  |
| 4   | 856371   | 2   | Gasket          |          |  |
| 5   | 835077   | 10  | Screw           |          |  |
| 6   | 835079   | 4   | Screw           |          |  |
| 7   | 835078   | 12  | Screw           |          |  |
| 8   | 856398   | 2   | Valve cover     |          |  |
| 9   | 818620   | 2   | Filler cap      |          | Early type   |
| 9A  | 856442   | 2   | Oil filler cap  |          | Late type  |
| 10  | 856400   | 6   | Screw           |          |  |
| 11  | 835415   | 2   | Rubber bushing  |          | See group 2C   |
| 12  | 855902   | 2   | Hose attachment |          | See group 2C   |
| 13  | 856401   | 2   | Gasket          |          |  |